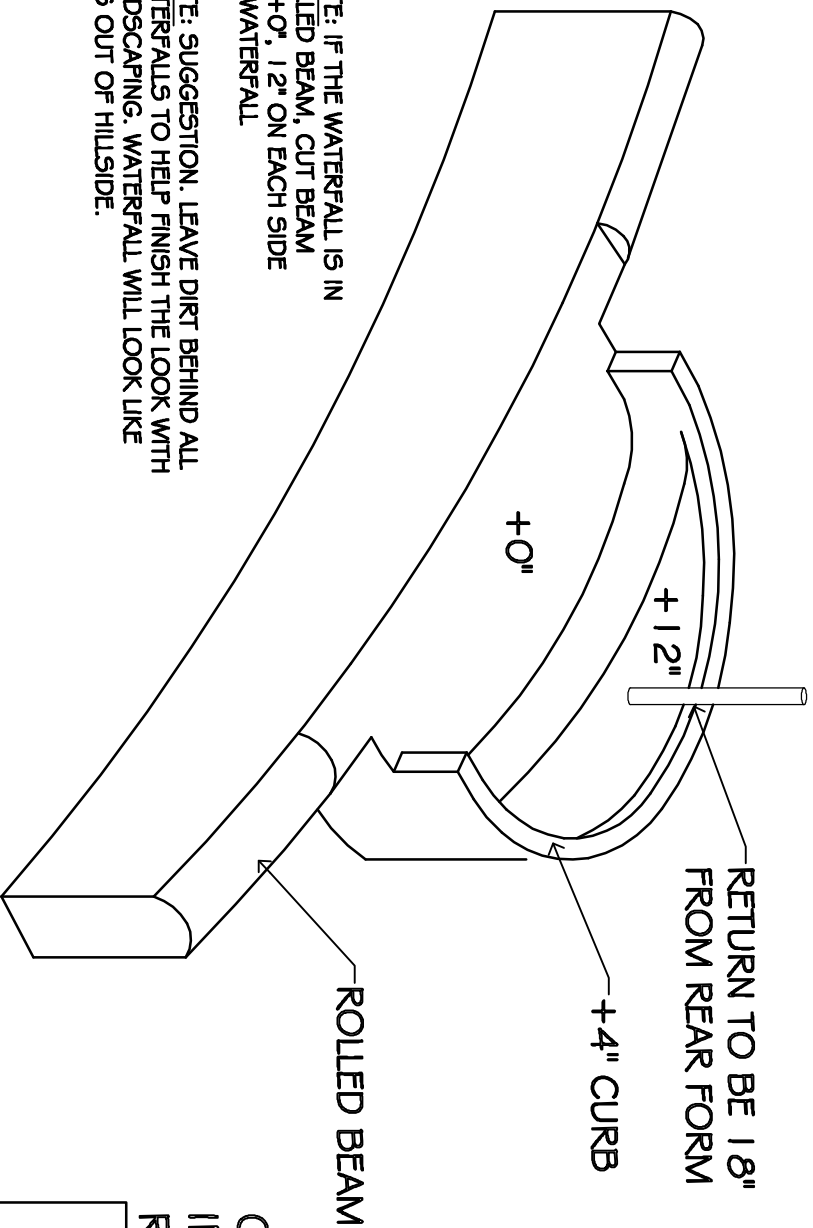
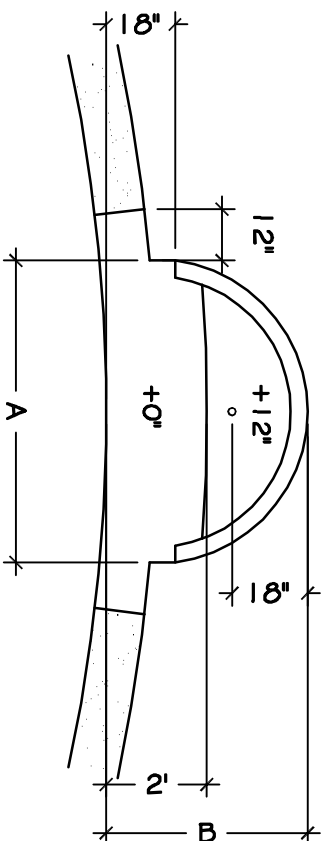


WATERFALL PAD DETAIL & DIMENSIONS (WITH OPTIONAL + 1 2" RAISED PAD)

50 SQUARE FOOT
 $A = 10'$, $B = 5'$
 (WIDTH X DEPTH)

60 SQUARE FOOT
 $A = 12'$, $B = 5'$
 (WIDTH X DEPTH)



NOTE: IF THE WATERFALL IS IN ROLLED BEAM, CUT BEAM AT +0, 1 2" ON EACH SIDE OF WATERFALL

NOTE: SUGGESTION. LEAVE DIRT BEHIND ALL WATERFALLS TO HELP FINISH THE LOOK WITH LANDSCAPING. WATERFALL WILL LOOK LIKE IT IS OUT OF HILLSIDE.

VISIT OUR ONLINE PORTFOLIO AT WWW.GETROCKS.COM

OFFICE #: (623) 780-2800
 INFO@GETROCKS.COM
 ROC182272



ROCKWORKS INC.