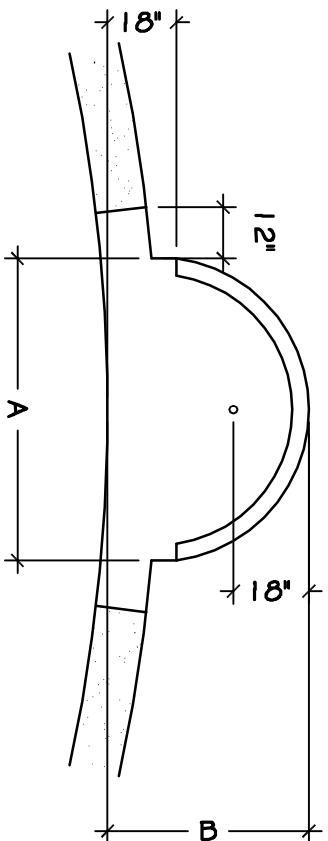


WATERFALL PAD DETAIL & DIMENSIONS

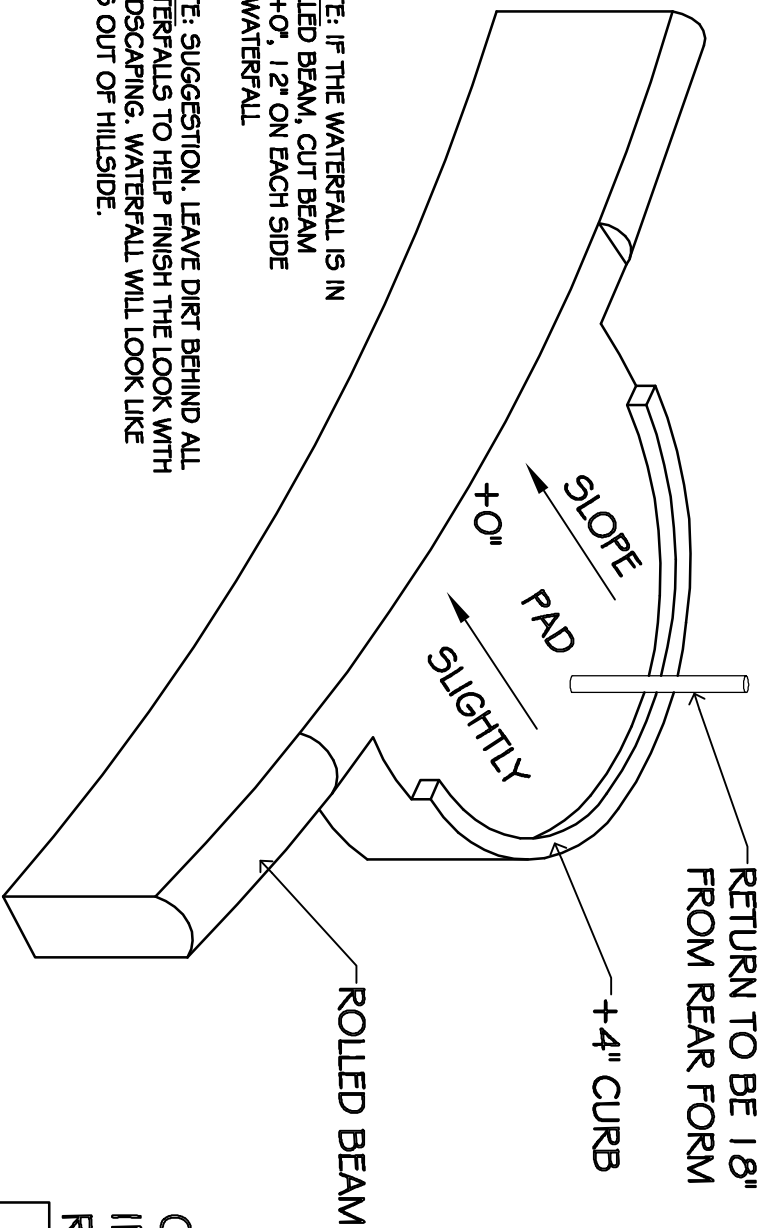
<p>20 SQUARE FOOT $A = 6', B = 4'$ (WIDTH X DEPTH)</p>	<p>30 SQUARE FOOT $A = 8', B = 4'$ (WIDTH X DEPTH)</p>
--	--

<p>40 SQUARE FOOT $A = 8', B = 5'$ (WIDTH X DEPTH)</p>	<p>50 SQUARE FOOT $A = 10', B = 5'$ (WIDTH X DEPTH)</p>
--	---

60 SQUARE FOOT
 $A = 12', B = 5'$
 (WIDTH X DEPTH)



ADD A STAIR STEP TO LARGER WATERFALLS WHEN POSSIBLE (12" - 18")
 *SEE DETAIL FOR OPTIONAL RAISED PAD



NOTE: IF THE WATERFALL IS IN ROLLED BEAM, CUT BEAM AT +0", 1 2" ON EACH SIDE OF WATERFALL

NOTE: SUGGESTION. LEAVE DIRT BEHIND ALL WATERFALLS TO HELP FINISH THE LOOK WITH LANDSCAPING. WATERFALL WILL LOOK LIKE IT IS OUT OF HILLSIDE.

VISIT OUR ONLINE PORTFOLIO AT WWW.GETROCKS.COM

OFFICE #: (623) 780-2800
 INFO@GETROCKS.COM
 ROC182272



ROCKWORKS INC.