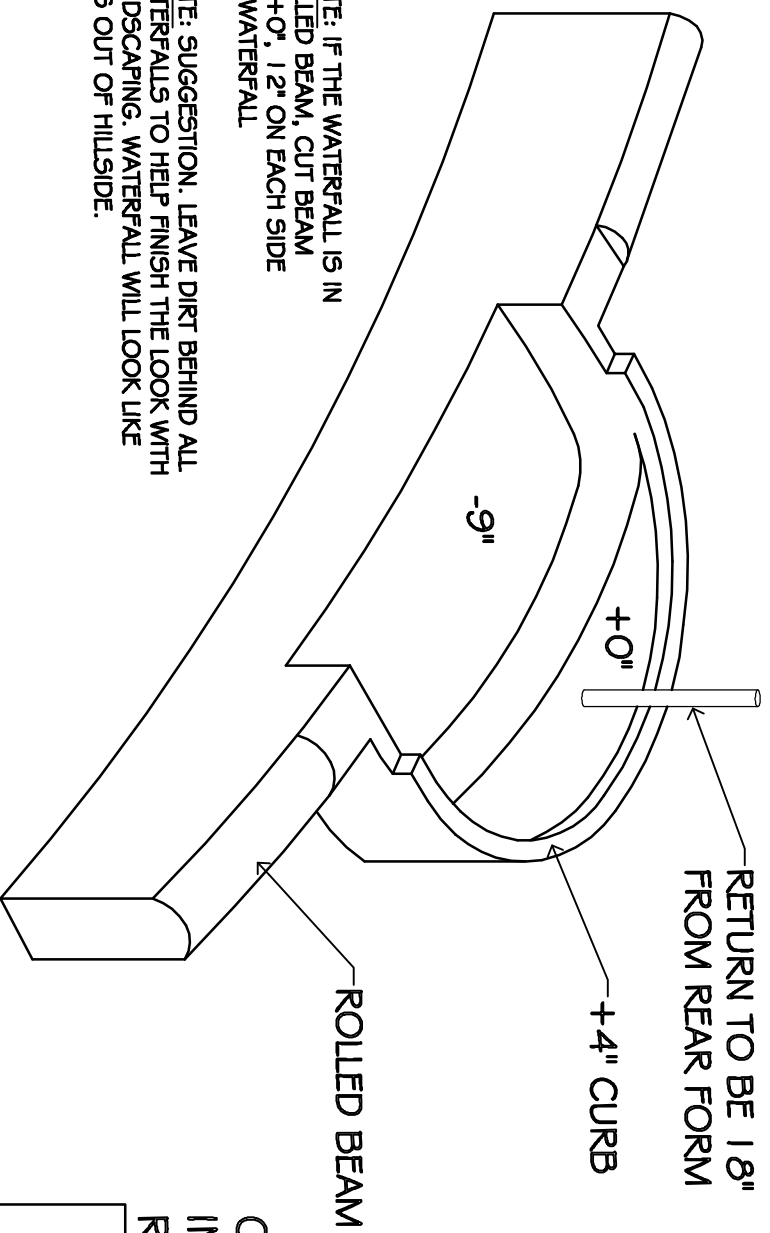
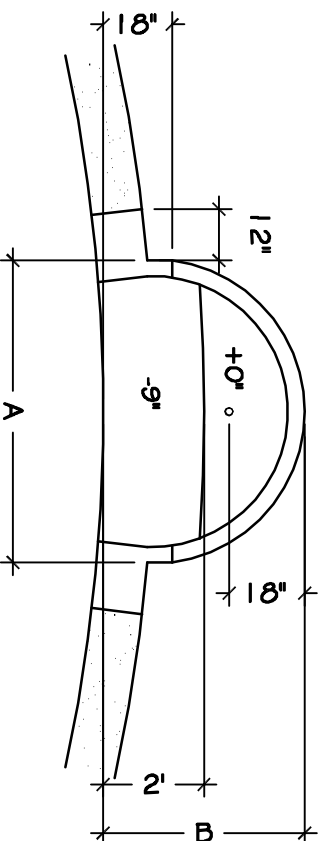


## WATERFALL PAD DETAIL & DIMENSIONS (FOR ROCKS TO BE UNDERWATER)

<p><b>20 SQUARE FOOT</b>  <math>A = 6', B = 4'</math>          (WIDTH X DEPTH)</p> <p><b>40 SQUARE FOOT</b>  <math>A = 8', B = 5'</math>          (WIDTH X DEPTH)</p>	<p><b>30 SQUARE FOOT</b>  <math>A = 8', B = 4'</math>          (WIDTH X DEPTH)</p> <p><b>50 SQUARE FOOT</b>  <math>A = 10', B = 5'</math>          (WIDTH X DEPTH)</p>
---	--

**60 SQUARE FOOT**  
 $A = 12', B = 5'$   
 (WIDTH X DEPTH)



NOTE: IF THE WATERFALL IS IN ROLLED BEAM, CUT BEAM AT +0", 1 2" ON EACH SIDE OF WATERFALL

NOTE: SUGGESTION. LEAVE DIRT BEHIND ALL WATERFALLS TO HELP FINISH THE LOOK WITH LANDSCAPING. WATERFALL WILL LOOK LIKE IT IS OUT OF HILLSIDE.

VISIT OUR ONLINE PORTFOLIO AT [WWW.GETROCKS.COM](http://WWW.GETROCKS.COM)

OFFICE #: (623) 780-2800  
 INFO@GETROCKS.COM  
 ROC182272



**ROCKWORKS INC.**